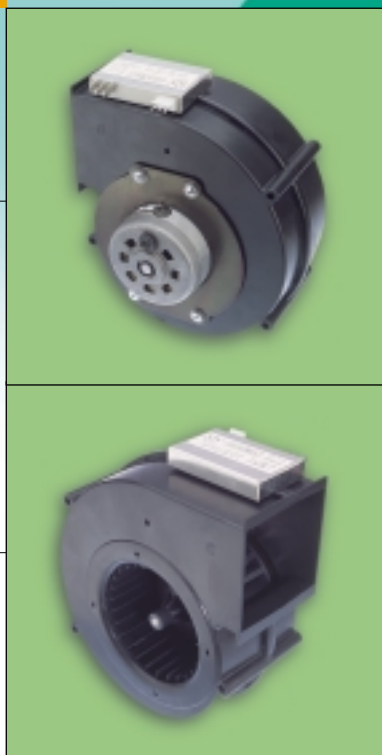




CENTRIFUGAL SINGLE WHEEL BLOWER

with brushless motor



- *Less consumption*
- *Improved performance*
- *No power peaks*
- *Longer life*
- *Less maintenance*
- *Less noise*
- *Can replace the current blowers with brush motors*



Application on 24 Vdc industrial vehicles

HISPACOLD

INTERNACIONAL HISPACOLD, S.A.

Autovía Sevilla-Málaga, Km 1,8.

Tel. + 34-954 67 74 80 ·

Fax: + 34-954 67 77 95

41016 - SEVILLA (ESPAÑA)

E-mail: comercial@hispacold.es

<http://www.hispacold.es>

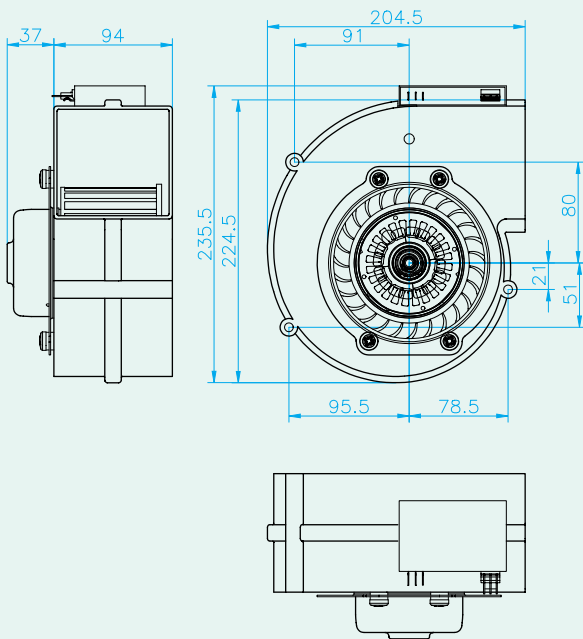


Ref. No. 5300066 / 5300065

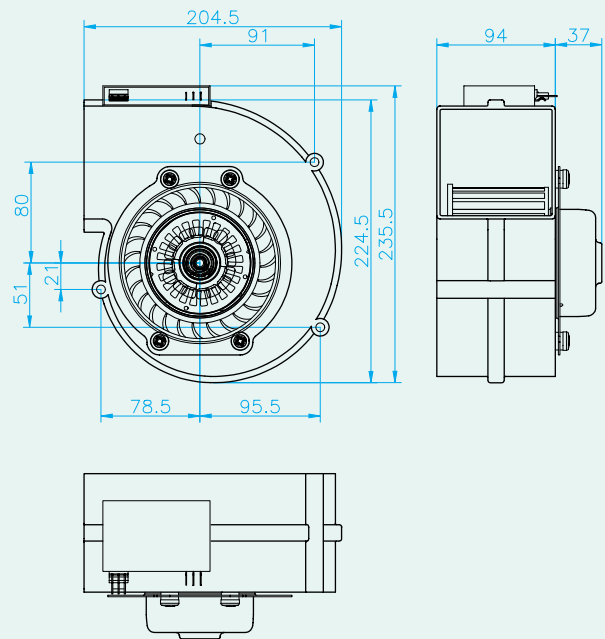
Technical specifications

- Voltage 18-32 Vdc
- Tension 24 Vdc
- Maximum intensity: 7 Amps + 10%
- Continuous intensity: 5 Amps
- Two speeds: high and low
- Intensity at start is no higher than nominal
- Start at random between 1 and 2,5 seconds after being energised
- Autocheck of speed during start
- Automatic stop when speed is less than 1,200 R.P.M.

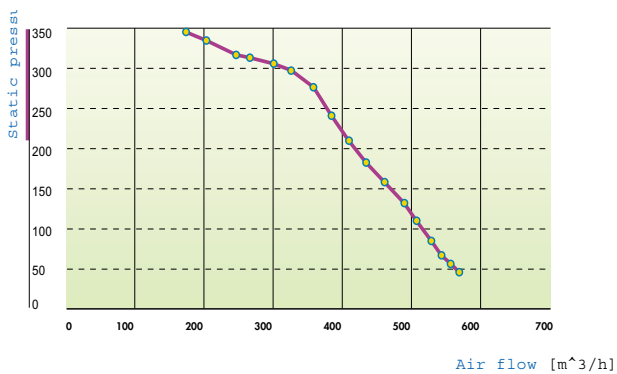
Ref. 5300066 Left



Ref. 5300065 Right



Pressure-flow chart at 26,5 U



Performance curves at 24 U

