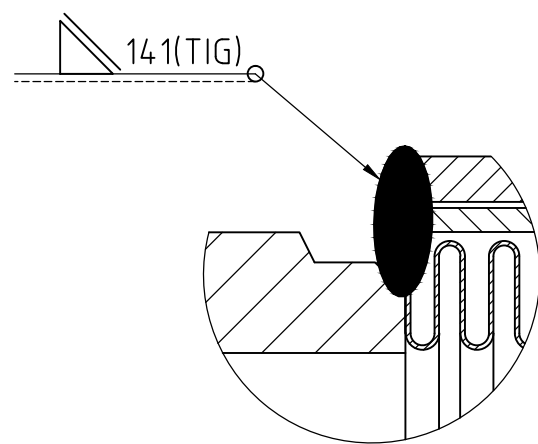


Detail A Scale 2:1



A+P Art. No.: 80.0047.5535

3	2	Tube ø33 x 35	1.4305	
2	2	End sleeve DN25	1.4301	
1	1	ASSIWELL® 066 Hose DN25 x 480	1.4404	

Item	Quantity	Description	Material		Remarks	
Origin			Established	21.01.2014	S.Xu	XUSU
Substitute of			Approved	08.08.2014	Baroni Loredana	BAL
Replaced by			Amendment	c	08.08.2014	J.Yao
Separate part list						

For this document and the therein represented items we reserve all rights. Without our explicit consent the reproduction, the disclosure to third party or the utilisation of its content is prohibited.  
© Copyright by Angst + Pfister 2014

Measurements without tolerance: DIN EN ISO 13920-BF			<b>ASSIWELL® 066 Hose DN25</b>		Division FT
	<a href="http://www.angst-pfister.com">www.angst-pfister.com</a>		<b>APIT 3.109 993.00 c</b>		Format A3
					Number of sheets 1
					Sheet 1
					CAD